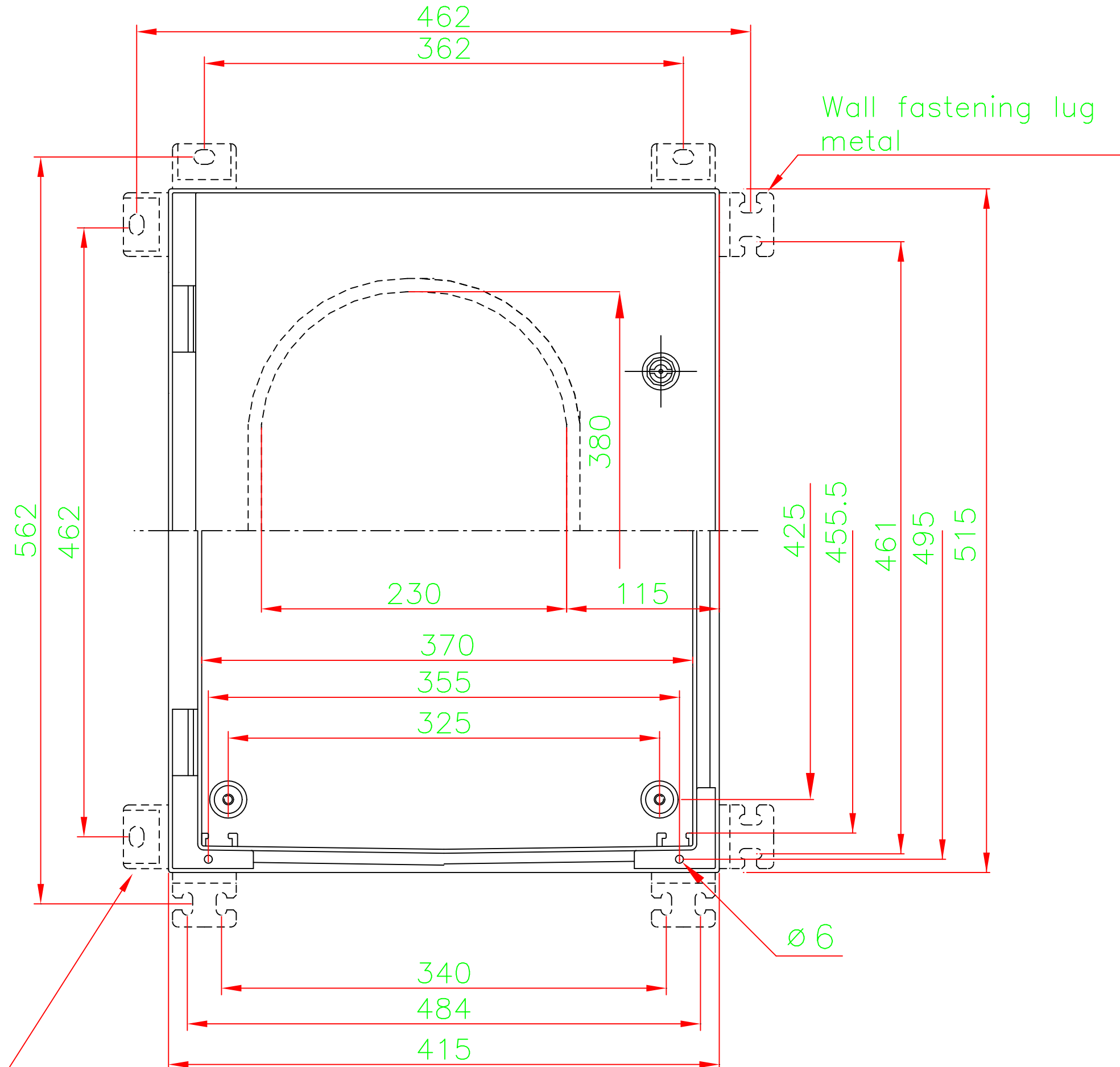


Wall fastening lug
Plastic



Wall fastening lug
metal

$\text{Ø}6$